

# solus

Fire Features

HALO 36 ELEVATED  
MATCH LIT NG & LP

Fire is beautiful and also dangerous if not handled properly. Please have a qualified gas fitter setup and install this product according to local codes.

This product has been tested and certified by Labtest Certification Inc. as being safe, as long as these minimum clearances to adjacent materials are maintained.

FOR OUTDOOR USE ONLY

## NORTH AMERICA SPECIFICATIONS

Gas type: Natural Gas Propane/But.  
Gas press: 3.5" - 7.0" w.c. N/A  
BTU / kWh: 40,000/11.7 76,000/22.5

ANSI Z21.97-2014  
CSA 2.41-2014



## UK & EUROPEAN SPECIFICATIONS

Gas type: Natural Gas Propane/But.  
Gas press: G20 G30  
Heat Out: G20/11.7 G30/22.5

EN 509:2000  
EN 60335-1:2001



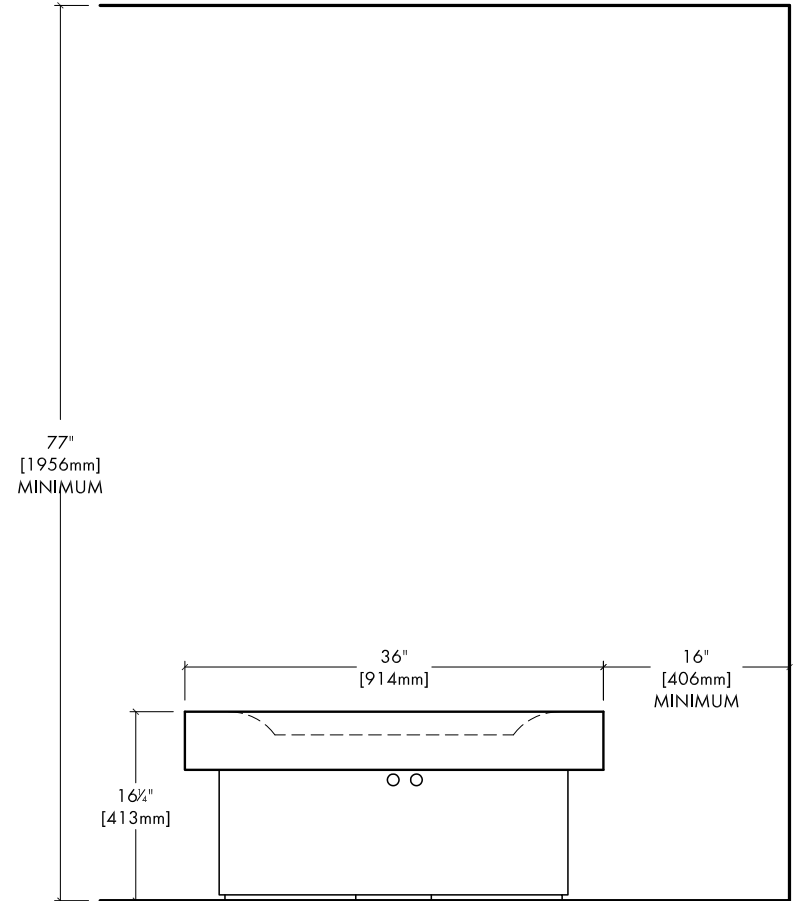
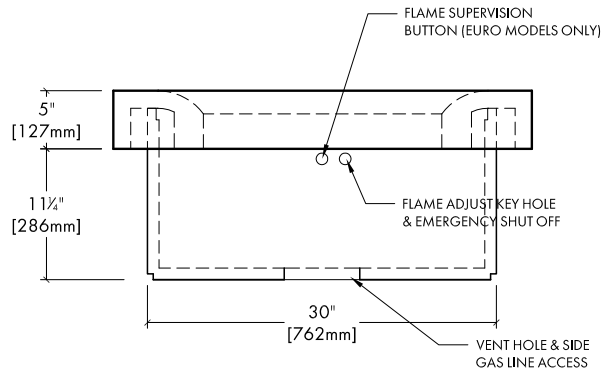
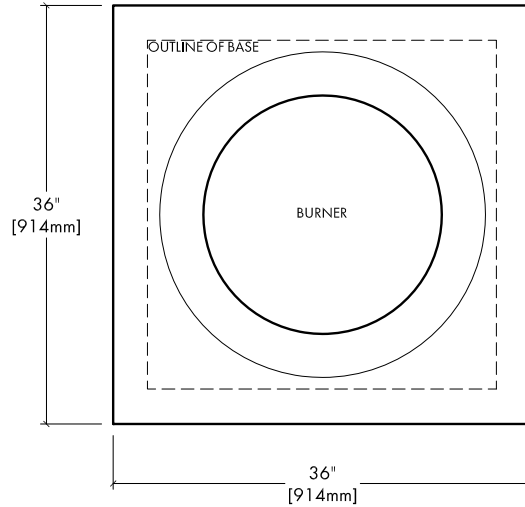
## CONCRETE SPECS

Strength: 10,000 psi (proprietary)  
Weight: Top - 210 lbs / 95 kg  
Base - 170 lbs / 77 kg  
Bottom - 60 lbs / 27 kg

## JOB / ORDER

Name or Number:

Signature & Date:



CLEARANCES to ADJACENT MATERIALS