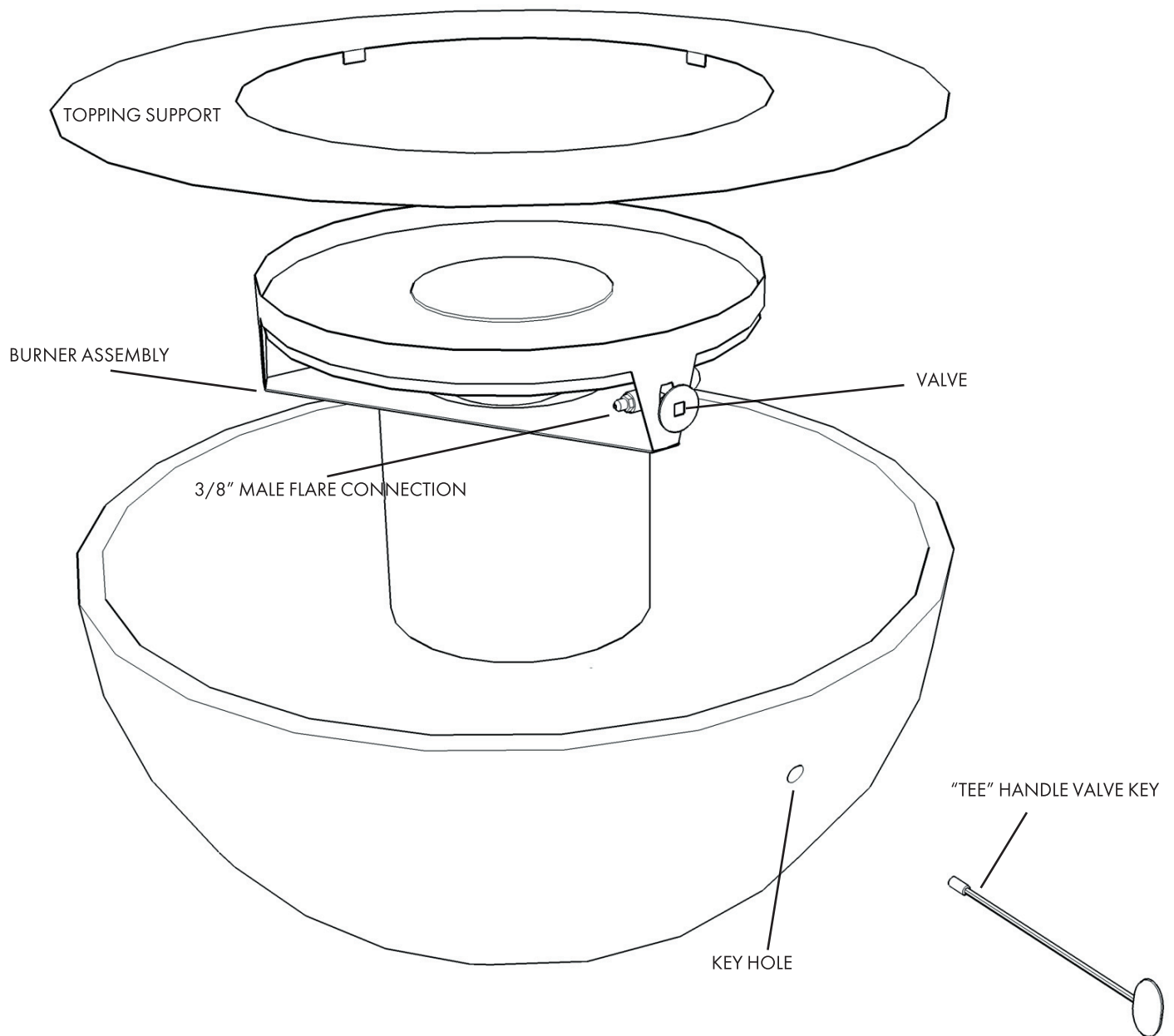


CAUTION: Concrete parts are heavy and fragile. Moving parts will require two or more people. Use extreme care when handling concrete as it is easily scratched or chipped if collided with other hard objects, such as metal, stone, or other concrete!

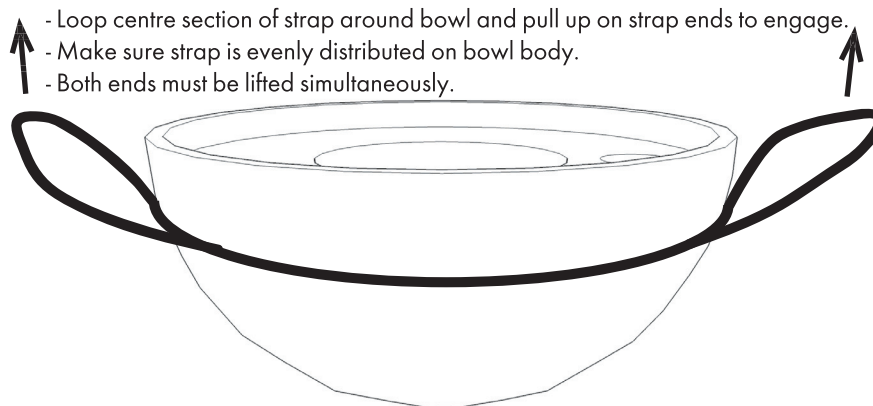


*NOTE: 36" BOWL AND ASSEMBLY SHOWN

Firebowl setup instructions:

Move the firebowl close to its final location. Moving the firebowl requires two people (36" Firebowl weighs approximately 200 lbs or 90 kgs, 26" Firebowl weighs approximately 100 lbs or 45 kgs)

FOR 36" Firebowl Only: Use the lifting strap provided:



Burner

The firebowl utilizes a Warnock Hersey listed outdoor burner unit and a customized burner cradle. **For information pertaining to the safe operation of the burner, maintenance and warranty please refer to the "Kingsman Outdoor Fire Pit Manual" (included).** Specific sections in the manual will also be referred to in these instructions.

Gas Line

When you ordered the firebowl, you specified either a bottom or side gas line hole. For a bottom feed, the gas or propane supply must be concealed below the bowl so that the bowl can sit flatly on a surface. For side gas line, the bowl may be placed on any flat, secure surface.

For Natural Gas:

NOTE: Installation must be completed by a licensed gas-fitter and comply with local codes.

Lift stainless steel topping support ring taking care not to contact edge of bowl; then remove burner. Discard cushioning materials. Feed a flexible gas supply line in through the hole in the bottom of the bowl and connect to 3/8" flare as per Kingsman Firepit Manual pg 6.

Feed Excess hose into the bottom of the bowl. Reposition burner assembly in bowl aligning the valve with the valve hole.

For Propane:

Connect propane regulator hose to propane tank as per pages 5-6 of the "Outdoor Fire Pit Manual"

Connecting Key

With topping support ring still removed, insert tee-handled key through hole in bowl and engage with key valve. If the burner assembly needs to be rotated to align with the key, gently turn the burner. Make sure that the key is turned firmly in the clockwise direction. Replace topping support ring.

Finishing off

Distribute lava rock over entire surface of burner and topping support ring ensuring that it is completely covered. Your fire pit includes two different sizes of lava rock which may be used to your preference.

For Operating Instructions, refer to pages 14-15 of the "Kingsman Outdoor Fire Pit Manual"



concrete is beautiful

Fire Pit Caution and Care Sheet

Your Solus fire pit is cast in high-performance concrete that is naturally durable and freeze-thaw resistant. The following guidelines will help to ensure that your fire pit provides you with years of enjoyment:

CAUTIONS:

- **FOR OUTDOOR USE ONLY**
- **Wet lava rock may pop and fly out of fire pit when heated. Use care when lighting the fire pit for the first time or when relighting after rain**
- **Always comply with required minimum clearances to combustibles**
- **Always maintain safe distance from fire**
- **Always supervise children around fire**
- **Never leave fire unattended**
- **Always allow ample cooling time after shut-off, before touching or covering**

- **Refer to burner manual (included) for lighting and specific care instructions**

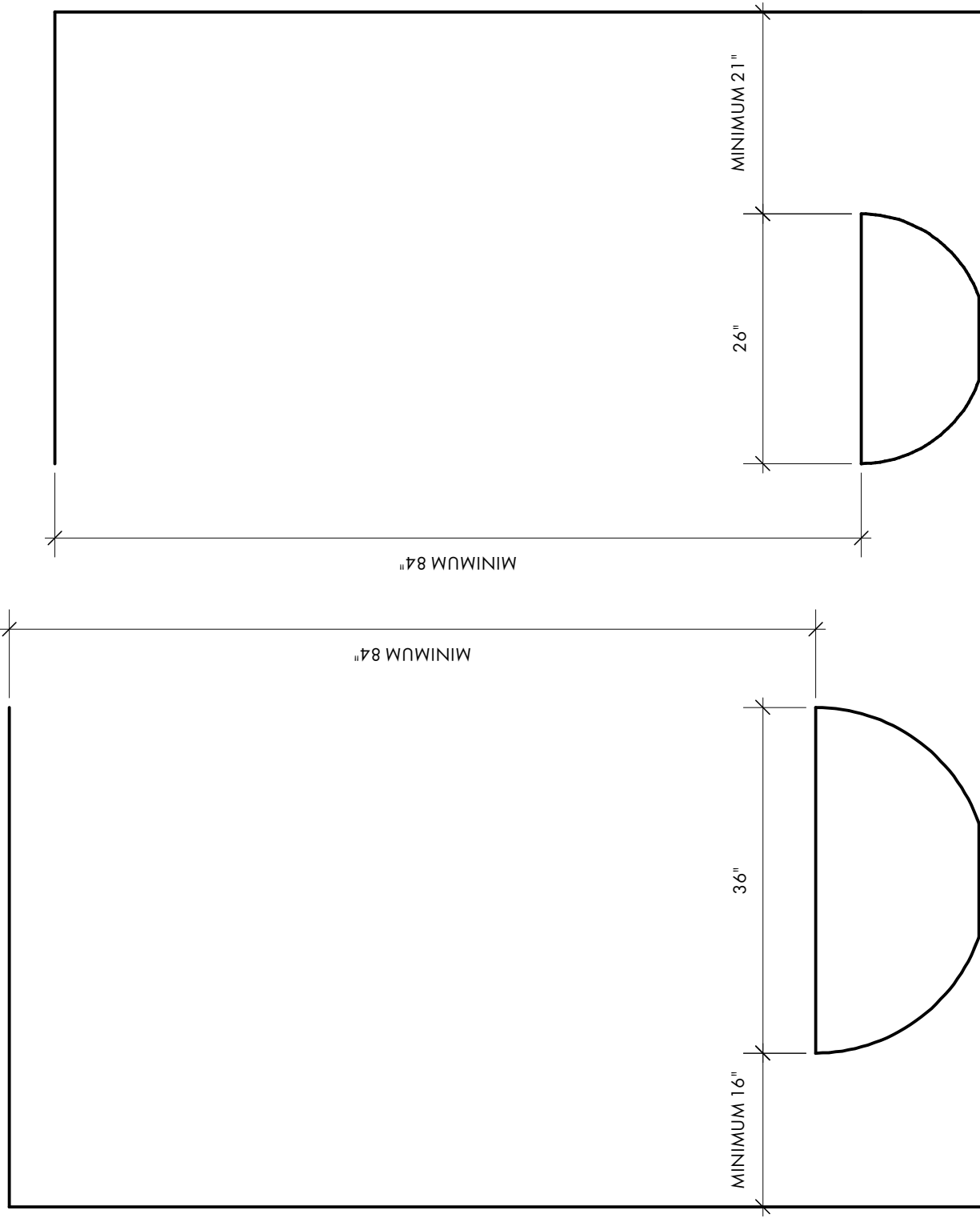
CARE:

- Solus concrete will react to its environment, and naturally weather and patina beautifully as it ages.
- If you wish your fire pit to maintain its original finish, it must be protected from rain and snow.
- Your fire pit is sealed with a penetrating sealer that provides some resistance to water and staining. It is not water or stain proof. Additional coats of sealer, although not necessary, will help to maintain this degree of protection.
- If desired, the green buffing pad may be used to remove water marks and some surface staining.

- Cover your fire pit when not in use for extended periods of time.
- Always ensure that your fire pit is draining water properly (i.e. drainage is not obstructed by debris).

We can be reached at 604.255.2472 or toll-free 1.877.255.3146 if you have any questions.

Thank you for choosing Solus Handcast Concrete.



TITLE:
 FIREBOWLS -
 CLEARANCE TO
 COMBUSTIBLES

DATE: 7/22/08

SCALE: 3/4"=1'



1 FIREBOWL - Minimum Distances to Combustibles
 Scale: 3/4" = 1'-0"